

T 150 G

MOTORIZED SWG TURNSTILE

Strong Mechanism

Elegant Design

Longlived

Disabled Passage

VIP Passage

Spare Parts Support

Logo Customization

T 150 G

MOTORIZED SWG TURNSTILE

T 150 G MSWG serves as an alternative passage lane for people with wheelchair and for other VIP passage purposes. Thanks to its stylish design and appearance, it can suit any interior.

Application

T 150 G MSWG can be installed in various interior locations like banks, ministries, administrative offices, public transportation centers, business centers and other similar sites as a VIP lane.

Basic Materials

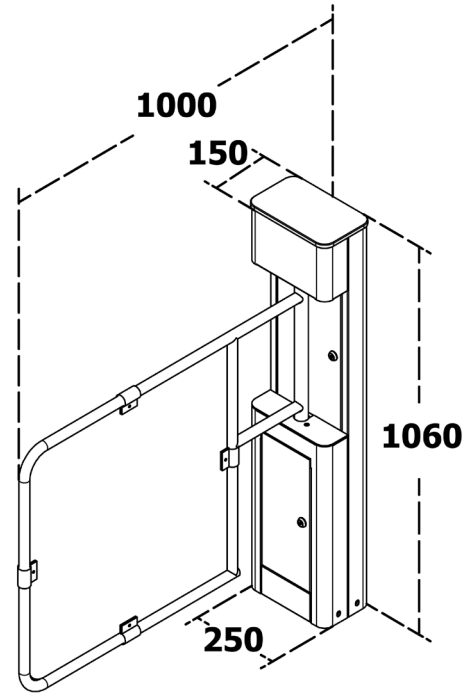
T 150 G MSWG main body is made of 304 stainless steel, wings are with 25 mm diameter tube. Inside the wing there is 3 mm blue forex (decota) material reinforced wings. LED indicators can be applied to the top cover and wings. Also it is possible to apply logo on the wings. The electronic boards are designed by the qualified engineers of Makim, enabling T 150 G MSWG work in various modes and entegrations together with the special PLC.

General Usage

T 150 G MSWG works bi-directionally. Any kind of access control system like card reader, biometric reader, remote control unit or push button can be connected to T 150 G MSWG via simple dry-contact. Once the access right is granted, T 150 G MSWG will open automatically, in 90° width. The gate stays in open position for 15 seconds and then closes & locks itself again. This open-waiting time can be changed on the PLC settings. T 150 G MSWG is suitable for disabled and VIP-purpose accesses, which are recommended to be installed next to the Makim tripod turnstiles to provide a lane for the main flow.

Safety

In case of power cut, T 150 G MSWG is unlocked to allow free passage in both directions. As an alternative, battery can be used to keep standard working mode of T 150 G MSWG for a certain while in case of power cut.



Control /Operation Voltage	100-230 VAC 50/60 Hz
Power Consumption	30 W
Operation Temperature	- 10° C - + 50° C
Passage Speed	20-30 P / Minute
Weight	25 Kg
Usage Area	Indoor
Body	304 Grade SS
Wing Length	850 mm
Wing	3 mm Blue Plexyglass
Optional Accessories	Biometric reader, card reader, button, remote control
Security Level	●●○○○